



MICRO HIFI SYSTEM

with NXT technology

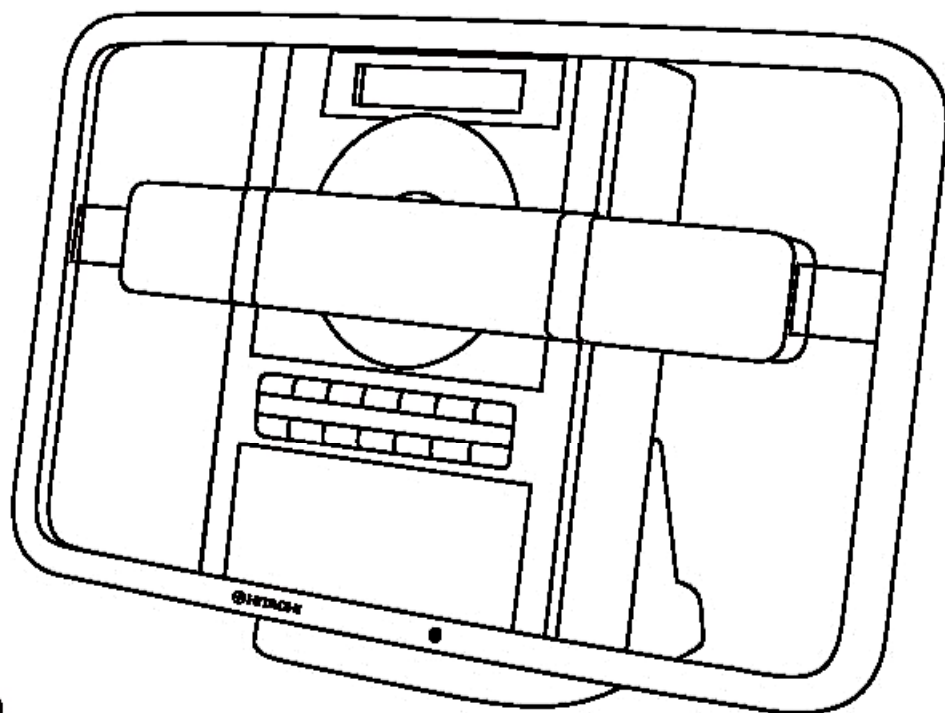
MICROSISTEMA HIFI

con tecnología NXT

CX-V3

Instruction manual

Manual de instrucciones



Before operating, please read all these instructions thoroughly

Lea completamente estas instrucciones antes de poner en funcionamiento el aparato.

DECLARATION OF CONFORMITY

We declare under our sole responsibility that this product, to which this declaration relates, is in conformity with the following standards:

EN60065, EN55013, EN55020, EN61000-3-2 and EN61000-3-3.

Following the provisions of 73/23/EEC, 89/336/EEC and 93/68/EEC Directives.

DECLARACIÓN DE CONFORMIDAD

Declaramos bajo nuestra única responsabilidad que este producto, con el que esta declaración se relaciona, está en conformidad con las siguientes normas:

EN60065, EN55013, EN55020, EN61000-3-2 Y EN61000-3-3.

Siguiendo las condiciones de las Directivas 73/23/EEC, 89/336/EEC y 93/68/EEC.

LOCATION OF EXPLANATORY LABELS

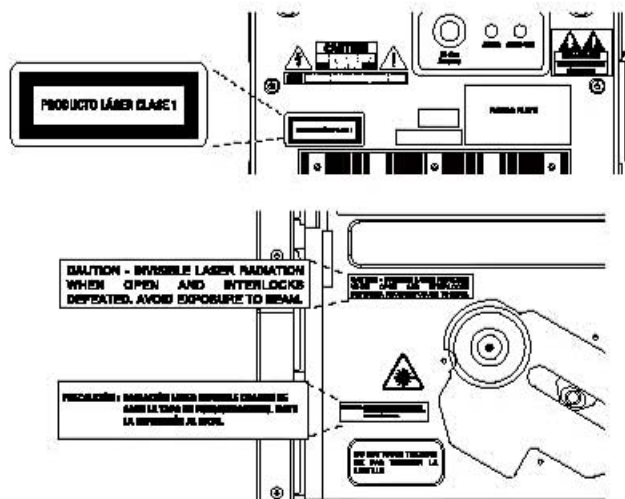
LOCALIZACION DE ETIQUETAS EXPLICATIVAS

CAUTION:

This product contains a low-power laser device. To ensure continued safety, do not remove any cover or attempt to gain access to the inside of the products. Refer all servicing to qualified personnel.

PRECAUCION:

Este producto contiene un aparato laser de baja energia. Para asegurar una seguridad continua, no saque la cubierta o intente obtener acceso al interior de los productos. Refiera todo el servicio al personal cualificado.



DANGER

INVISIBLE LASER RADIATION WHEN OPEN AND INTERLOCK FAILED OR DEFEATED. AVOID DIRECT EXPOSURE TO LASER BEAM.

PELIGRO

RADIACION LASER INVISIBLE CUANDO ESTA ABIERTO Y EL CIERRE FALLA O ESTA DAÑADO. EVITE EXPONERSE DIRECTAMENTE AL RAYO LASER.

LASER SAFETY

This unit employs an optical laser beam system in the CD mechanism, designed with built-in safeguards. Do not attempt to disassemble, refer to qualified service personnel.

Exposure to this invisible laser light beam may be harmful to the human eye.

THIS IS A CLASS-1 LASER PRODUCT. USE OF CONTROLS, OR ADJUSTMENTS OR PROCEDURES OTHER THAN THOSE SPECIFIED HEREIN, MAY RESULT IN HAZARDOUS LASER LIGHT BEAM EXPOSURE.

LASER DE SEGURIDAD

Esta unidad usa un sistema de rayo laser óptico en el mecanismo del CD, diseñado con un sistema de seguridad incorporado. No intente desarmarlo, refiera su servicio a personal cualificado. La exposición al rayo de luz laser puede ser dañina para el ojo humano.

ESTE ES UN PRODUCTO LASER DE LA CLASE-1.

EL USO DE LOS CONTROLES, AJUSTES O PROCEDIMIENTOS QUE NO SEAN LOS ESPECIFICADOS PODRIAN RESULTAR EN UNA EXPOSICION PELIGROSA A LA LUZ DEL RAYO LASER.



WARNING

To prevent fire or shock hazard, do not expose this appliance to rain or moisture. The apparatus should not be exposed to dripping or splashing and that no objects filled with liquids, such as vases, shall be placed on the apparatus.

The ventilation should not be impeded by covering the ventilation openings with items, such as newspapers, table-cloths, curtains, etc.

No naked flame sources, such as lighted candles, should be placed on the apparatus. The main plug is used as the disconnect device, the disconnect device shall remain readily operate.

ADVERTENCIA

Para evitar incendio o shock eléctrico, no exponga la unidad a la lluvia o la humedad. El aparato no deberá exponerse a goteras ni salpicaduras y no se deberán colocar objetos que contengan líquidos, tales como floreros, sobre la unidad.

No se deberá impedir la ventilación: no cubrir las aberturas de ventilación con manteles, cortinas, etc.

No se deberán colocar objetos con llama descubierta, tal como velas encendidas, sobre la unidad.

El enchufe principal se utiliza como dispositivo de desconexión y deberá permanecer listo para operar.

Este equipo debe ubicarse cerca del tomacorriente y este debe estar fácilmente accesible.

- CONNECTING THE POWER
- CONECTAR LA ALIMENTACIÓN

Unwind the AC power cord fully and connect it to any convenient household AC outlet. This system is designed to operate on 230-240V~ 50Hz AC power only. Connecting this system to any other power supply may cause damage to the unit and is unsafe.

Extienda el cable de alimentación AC por completo y conéctelo a una salida AC que sea conveniente. Este sistema está diseñado para operar solo con alimentación AC 220-240V~ 50Hz. Si lo conecta con otra alimentación puede dañar la unidad y no es seguro.

- Note:
- When the unit will not be used for a long period. Disconnect AC power cord from AC outlet.
 - Be usre to use it near the wall outlet. If a malfunction occurs, disconnect the plug from the wall outlet at once.
 - When the plug is plugged in, the apparatus is not completely disconnected from the mains, even when the power is turned off.

- Nota:
- Cuando no se utilizará la unidad por un período prolongado, desconecte el cable de alimentación AC de la salida AC.
 - Asegúrese de utilizarla cerca de la salida de la pared. Si funciona mal, desconecte el enchufe de la salida de la pared inmediatamente.
 - Cuando la unidad está enchufada, el aparato no está completamente desconectado de la red eléctrica, incluso si la unidad está apagada.

- USING THE REMOTE CONTROL
- UTILIZAR EL CONTROL REMOTO

1. The remote is required to operate the timer and most of the other functions on the unit.

El control remoto se necesita para operar el cronómetro y la mayoría de las demás funciones de la unidad.

2. To use the remote, point it at the REMOTE SENSOR on the unit to control from your listening position.

Para utilizar el control remoto, apúntelo al SENSOR REMOTO de la unidad para controlarla desde su posición de audición.

Note: • Even if the remote is in range, operation may be compromised by obstacles between the remote and unit.

- If the remote is operated near other units which generate infrared rays, or if other remote control devices using infrared rays are used near the unit, the remote may operate incorrectly. Conversely, this remote may make other units operated incorrectly.

Nota: • Incluso si el control remoto se encuentra dentro del alcance, el funcionamiento se puede ver comprometido por obstáculos entre el control remoto y la unidad.

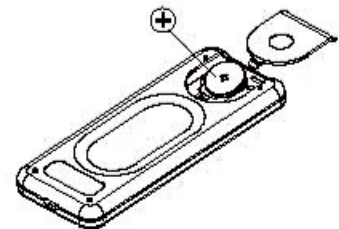
- Si el control remoto se utiliza cerca de otras unidades que generan rayos infrarrojos, o si se utilizan otros dispositivos de control remoto que genera rayos infrarrojos cerca de la unidad, es posible que el control remoto no funcione correctamente. A la inversa, este control remoto puede hacer que otras unidades funcionen de manera incorrecta.

Battery Insertion

Insert the CR2032 button cell battery, ensuring the positive (+) side faces up.

Instalar las pilas en el control remoto

Inserte la pila CR2032, asegurándose que el lado positivo (+) se encuentre hacia arriba.



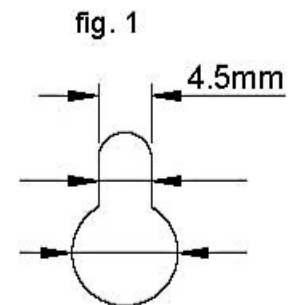
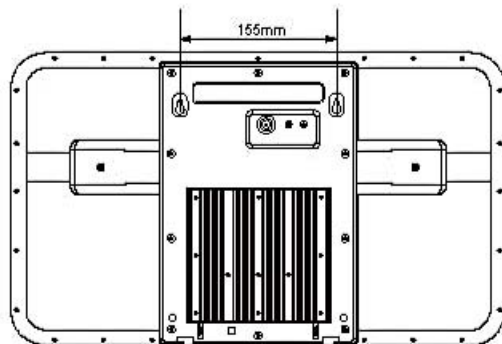
Note: • When the remote is not going to be used for more than 30days, remove the battery to prevent it from leaking. If it is leaks, wipe away the liquid inside the battery compartment and replace with a new battery.

- Make sure that you dispose the old battery in accordance with local environmental laws.

Nota: • Cuando no se va a utilizar el control remoto por 30 días, retire la pila para evitar pérdidas. Si pierde, limpie el líquido dentro del compartimiento de las pilas y coloque una nueva pila.

- Asegúrese de que deseché la pila vieja de acuerdo con las leyes locales de medio ambiente.
- Existe peligro de explosión de la pila si se reemplaza incorrectamente.
- Reemplace solo por el mismo tipo ó equivalente.

- MOUNTING THE SYSTEM TO THE WALL
- MONTAR EL SISTEMA EN LA PARED



The supplied paper pattern helps you properly align the system.

El patrón de papel suministrado le ayudará a alinear de manera adecuada el sistema.

1. Mark where to fasten the screws on the wall.

Marque donde ajustar los tornillos a la pared.

Note: Wall mounting screws are not supplied with this system. Use screws that are suitable for the wall material and the hold size as illustrated here. (see fig 1)

Nota: Los tornillos para montaje no se proveen con el sistema. Utilice tornillos adecuados para el material de la pared y el tamaño de agarradera que se muestra en este manual (ver figura 1).

2. Drive the screws into the wall, leaving about 1/2 inch extended.

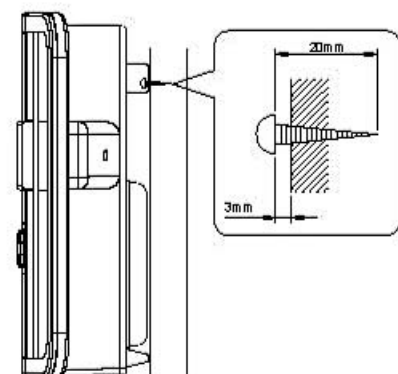
Inserte los tornillos en la pared, dejando alrededor de 1/2 pulgada extendido.

3. Hang the system onto the protruding screws.

Ensure that the screws securely connect with the narrow part of the holes.

Cuelgue el sistema en los tornillos sobresalidos.

Asegúrese de que los tornillos están insertados correctamente en la parte angosta de los agujeros.



Note: The wall onto which the system is attached should be capable of supporting 33lbs. per screw.

Confirm that all screws are fastened tightly and are properly fitted into the holes.

Nota: Asegúrese de que los tornillos estén bien ajustados y que están insertados de manera correcta en los agujeros.

- MOUNTING THE SYSTEM TO ITS BASE
- MONTAR EL SISTEMA EN SU BASE

1. Align the grooves on the underside of the unit with the guides located on the base. See fig. 2.
Alinee las ranuras de la parte inferior de la unidad con las guías ubicadas en la base. Ver fig. 2.
2. Slide the unit onto the base.
Deslice la unidad en la base.
3. Tighten the two screws underneath the base to firmly hold the unit in place.
See fig. 3.
Ajuste los dos tornillos debajo de la base para colocar la unidad en su lugar de manera firme. Ver fig. 3.

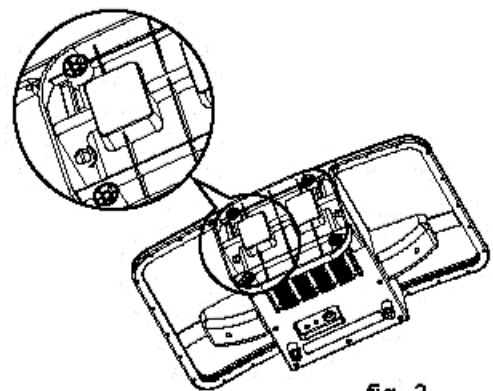
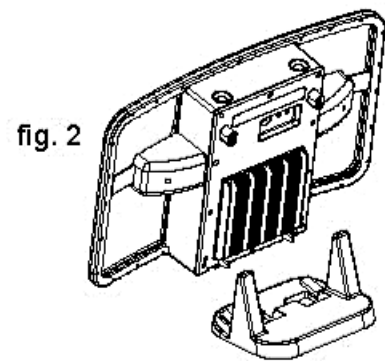
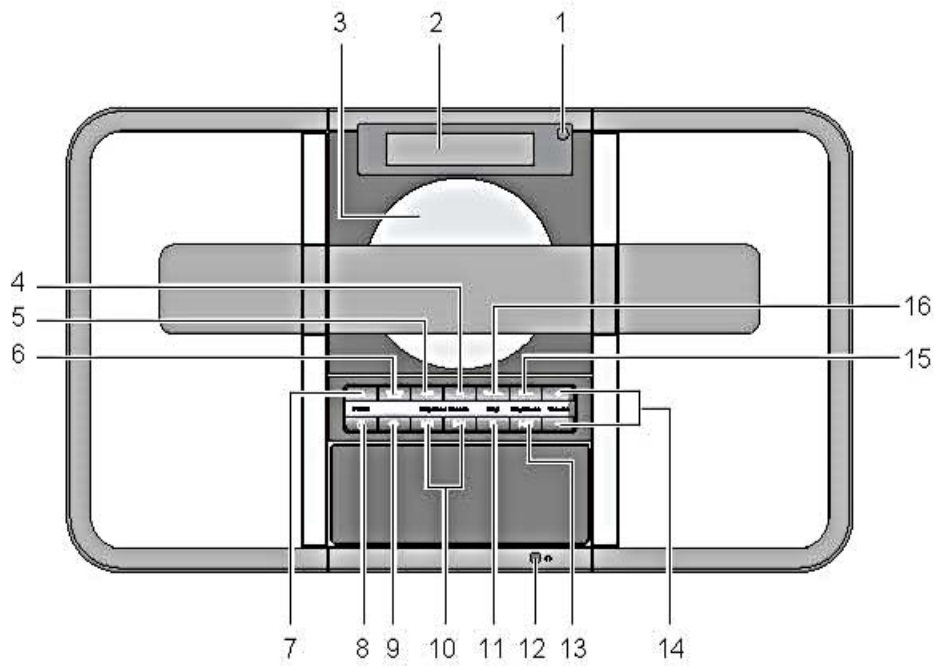


fig. 3

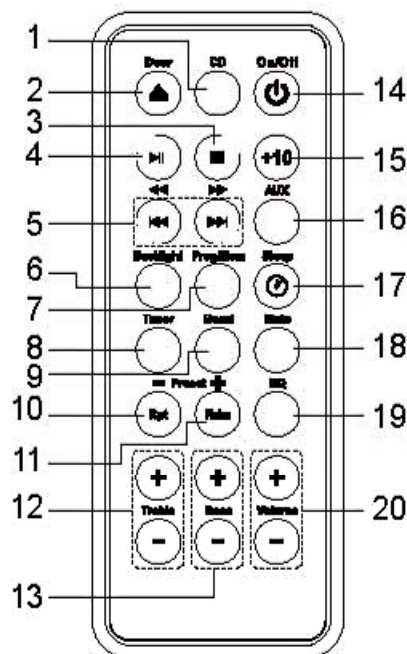
Removing the System from Its base Retirar el sistema de la unidad

1. Loosen the two screws underneath the base.
Afloje los dos tornillos debajo de la base.
2. Slide the unit from the base.
Deslice la unidad hacia afuera de la base.


- KEY TO ILLUSTRATIONS
- CLAVE DE LAS ILUSTRACIONES



REMOTE CONTROL
CONTROL REMOTO



PRECAUTIONS

- When the set is not going to be used for a long time, unplug the AC lead and remove the batteries.
- If a CD player is being operated while you are receiving a radio broadcast, you may hear a noise with the broadcast. If so, turn the operative switch of the CD player [OFF].
- Do not leave exhausted batteries in the compartment as they will leak and cause corrosion and damage.
- Never open the covers or touch the inside or insert a metal object. Any of these operations could cause an electric shock or a fault.
- When thunder starts, unplug the power cord from the AC outlet. If the set is being used outdoors, shorten the antenna and stop using the set.
- Shorten the antenna when carrying the set: If the set is carried with the antenna extended, it could break.
- Do not expose the unit to direct sunlight, extreme heat, and high humidity, or place it near heat sources, the sea, or in a sandy or dusty place.
- Do not clean the cabinet of the set with strong detergents or solvents as these could damage the surface finish.
- We discourage the use of C-120 cassette tapes as they tend to break or jam the device.
- The apparatus shall not be exposed to dripping or splashing.
- Discs, which can be played on this player, have the following mark on them: 
- Do not move the set suddenly from a very cold room into a warm room. When a chilled CD player is moved suddenly to a warm location, moisture condensation may form on the pick-up lens, preventing proper operation. In this case, wait 1 to 2 hours before resuming play.
- During playback, if the CD player is subjected to a sudden shock or jolt, some noise may be produced, this is not a malfunction.
- Do not place any objects in the disc compartment, it may cause damage to the mechanism.
- Whenever moving the set, first, be sure to remove the disc from it. If the player is moved with the disc loaded, the disc may be damaged.
- Do not store discs in high temperature, high-humidity locations. The discs may develop warps and become unable to play. Also, discs with moisture on them may be unplayable. Wipe any moisture off with a soft, dry cloth, and be sure discs are fully dry before using.
- Handle the discs carefully so that fingerprints and dust do not adhere to the surfaces of the discs. To clean off, use a soft cloth. Do not use a hard cloth since these will mark the disc.
- If you switch on or off a fluorescent lamp which is placed near the set, you may hear some interference noise; this is not a malfunction.
- Please do not use compact discs with cellophane tapes or with labels attached, or those CD with pealed off stains, such as rental CD. If such discs were used on a CD player, they may get trapped inside the unit and cause malfunction.
- CD's with special shapes (heart-shaped CD's, octagonal CD's etc.) cannot be played on this set. Attempting to do so may damage the set. Do not use such CD's:



IMPORTANT NOTICE

ALWAYS PRESS STOP BUTTON AND WAIT FOR THE DISC TO STOP ROTATING BEFORE OPEN THE CD DOOR AND TO REMOVE THE DISC. OPEN THE CD DOOR WHILE IT IS STILL ROTATING MAY DAMAGE THE DISC.

KEY TO ILLUSTRATIONS

(See Page 7)

1. **Remote Sensor**
 - Point the remote at this position for effective remote use.
2. **Display**
 - Shows information regarding the status of the disc or the radio station that is currently being played.
3. **CD Compartment**
 - Holds CD disc.
4. **EQ**
 - Selects equalizer mode (Classical, Flat, Rock and Pop status).
5. **AUX**
 - Switches to Auxiliary mode
6. **TUNER/BAND**
 - Switches to Radio's MW or FM mode.
7. **DOOR (▲)**
 - Opens and closes CD compartment.
8. **On/Off (⏻)**
 - Switches the unit on and off.
9. **CD**
 - Switches to CD/MP3/WMA mode.
10. **SKIP/SCAN SEARCH (⏮/⏭)**
 - Skip / search backwards or forwards through a disc or track in CD/MP3/WMA mode, or certain radio stations in Tuner mode. Press and hold for faster advance or reverse.
11. **STOP (■)**
 - Stops disc play or clears program setting. The total number of tracks and the total playing time (CDDA disc) appears on the display panel to indicate that the player is in stop mode.
12. **Earphone Jack (🎧)**
 - Connects to the headphones.
13. **PLAY/PAUSE (▶ / ⏸)**
 - Plays and pause a disc in CD mode.
14. **VOLUME + / -**
 - Adjusts the sound level.
15. **BASS**
 - Adjust low frequencies.
16. **TREBLE**
 - Adjusts high frequencies.

Remote Control

1. CD button - Switches to CD mode.
2. OPEN (▲) button - Opens and closes CD compartment.
3. STOP (■) button
 - Stops disc play, and the total playing time (CDDA disc) appears on the display panel to indicate the player is in stop mode.
4. PLAY / PAUSE (▶ / II) button
 - Play and pause a disc in CD mode.
5. SKIP/SEARCH BACKWARD or FORWARD (◀◀ / ▶▶) buttons
 - Skips backwards or forwards through a disc or track in CD mode;
 - Skips backwards or forwards through radio stations in Tuner mode;
 - Or skips through hours and minutes in Clock mode.
 - Press and hold for faster advance or reverse.
6. BACKLIGHT button
 - Turns the backlight on and off on the display.
7. PROG/MEM button
 - Programs CD play sequence in CD mode or sets radio stations.
8. TUNER button - Switches to Radio mode.
9. BAND button - Switches to MW/FM mode.
10. RPT/PRESET – button
 - Acts as a repeat function in CD mode; or scans backwards preset stations in Radio mode.
11. RDM/PRESET + button
 - Plays an entire disc in random order in CD mode; or scans forward preset stations in Radio mode.
12. TREBLE +/- button - Adjusts Treble.
13. BASS +/- button - Adjusts Bass.
14. On/Off (⏻) - Switches the unit into standby.
15. +10 button
 - Cycles forward by 10 tracks in a disc containing a large number of CDDA, MP3 or WMA audio files during play mode.
16. AUX button - Switches to Auxiliary mode.
17. SLEEP (⏴) button
 - Selects the sleeping time option in sleep mode; programs the clock when power is off and set 12hours/24hours display.
18. MUTE button - Toggle mute/unmute.
19. EQ button - Selects equalizer mode (Classical, Flat, Rock and Pop)
20. VOLUME +/- button - Adjusts sound level.

FUNCTION AND FEATURES

CD OPERATION

Loading a CD

1. Press CD button.
Note: "NO DISC" appears on the display if no CD is inside.
2. Press DOOR button to open the compartment door. "OPEN" appears on the display.
3. Place your desired CD into the tray with the label facing outwards.
4. Press DOOR button to close compartment door. "CLOSE" first appears on the LCD display and "READING" appears soon afterward.
5. The display has a "CD" indicator if the disc is a standard CDDA format audio CD. If the disc contains MP3, WMA files then MP3 or WMA indicators are displayed.

Note:

- Once the CD door is opened and then closed, the pick-up head automatically searches for a CD. Once the disc is found, the display shows its total number of tracks and total playing time. However, if no CD can be found, the pick-up head stops and the display shows "NO DISC".

Playing CDDA, CD_MP3 and CD_WMA discs

Please note : The unit can take up to 15 seconds to read an MP3 or WMA disc.

1. After a CD is loaded, press PLAY/PAUSE (▶/||) to play a CD. The display shows the track number and playing time.
2. Press ◀◀/▶▶ button to skip backwards or forwards to a desired track.
3. To stop CD play at any time, press STOP (■).

Note:

- Press and hold ◀◀ or ▶▶ to search within a track.
- To temporarily stop CD play, press PLAY/PAUSE (▶/||). The playing time flashes on the display. Press PLAY/PAUSE (▶/||) again to resume play.
- Play stops automatically after all tracks have been played. The display shows the CD's total number of tracks and the playing time.

Playing Tracks in Random Order

1. Press RDM button of remote control to plays all songs on the disc in random order, "RANDOM" appears on the display.
2. Press RDM button again to exit this function. The disc continues playing to the end, but in the correct order. The "RANDOM" disappears.

Repeat Play

Repeating one Track

1. Press ◀◀ or ▶▶ to select a desired track.
2. Press RPT button of remote control until "REPEAT 1" appears on the display. The selected track plays repeatedly.

Note: To cancel this function, press RPT until "REPEAT 1" disappears from the display.

Repeating the Disc

Press RPT until "REPEAT ALL" appears on the display.

Note: To cancel this function, press RPT until "REPEAT ALL" disappears from the display.

Program Play

Programming Disc Play

This feature programs the order in which tracks are played.

1. After CD is loaded, ensure the CD is in stop mode.
2. Press PROG/MEM button of remote control, "PROGRAM" flashes and "00 P-01" appears on the display.
3. Press ◀◀ or ▶▶ to locate a desired track.
4. Press PROG/MEM button to confirm. "00 P-02" appears on the display.
5. Repeat steps 3 and 4 to program other tracks for your desired sequence. Up to 40 tracks may be stored for programmed play.
6. Press PLAY/PAUSE (▶ / ||) to play your programmed sequence.

Note:

- To cancel Programmed Play mode before the sequence begins, you may either power off the unit or open the door.
- When in Programmed Play mode, press PROG/MEM button to cancel the Programmed Play mode, and the CD plays in normal Playback mode. If PROG/MEM button is pressed again, you return to the already Programmed Play mode.

Editing Programmed Memory

1. While stopped in programmed play mode, press PROG/MEM button repeatedly until the desired programmed track is reached.
2. Press ◀◀ or ▶▶ to select the track you want to replace the programmed track with.
3. Press PROG/MEM again to confirm.
4. Repeat steps 1- 3 to edit other programmed tracks.

Erasing Programmed Memory

1. While stopped in programmed play mode, press PROG/MEM button repeatedly until you reach the desired programmed track you wish to erase.
2. Press ◀◀ or ▶▶ to select the track you want to erase, until the shown track selection appears as "00" on the display.
3. Press PROG/MEM button to confirm.
4. Repeat steps 1 - 3 to erase other programmed tracks.
The programmed track will now be replaced by the track from the next location. The last programmed location will become "00".

RADIO TUNER OPERATION

Listening to Radio

Please note :

Connect the pigtail aerial in the 75ohm Antenna socket on the back of the unit

1. Press TUNER/BAND button to select FM or MW mode. On the remote, press BAND button to select FM or MW mode.
2. Press ◀◀ or ▶▶ to select a radio station.

Note:

- If you press ◀◀ or ▶▶ for less than three seconds each time, the receiving frequency moves up or down incrementally.
- If you press and hold ◀◀ or ▶▶ for more than three seconds, the frequency continues to increase automatically until a radio station is received.

3. Adjust to the desired sound and volume.

Note:

The last tuned station is retained and recalled when you turn the system on. The tuned station is stored into memory even if power is disconnected or cut due to temporary power failure.

Setting Radio Stations into Memory

You may store up to 20 FM stations and 20 MW stations in channel memory.

1. Press TUNER/BAND button to select FM or MW mode. On the remote, press BAND button to select FM or MW mode.
2. Press ◀◀ or ▶▶ to select a radio station.
3. Press PROG/MEM button, "PROGRMW" flashes on the display.
4. Press "PRESET +" or "PRESET -" to select program channel.
5. Press PROG/MEM button to save into memory. If it has been previously set, the former station is replaced.
6. Repeat steps 2 to 5 to store additional stations.

Playing Preset Stations

1. Press TUNER/BAND button to select FM or MW mode. On the remote, press BAND button to select FM or MW mode.
2. Press PRESET +/- to select the desired preset channel.

Improving Reception

MW Reception

Reposition the unit to get better MW reception.

Note: Do not connect to an outside antenna.

FM Reception

1. Plug in supplied FM wire antenna to the FM antenna socket of this unit, fully unwind the FM wire antenna and position it for best FM signal reception. OR
2. Connect a FM antenna cable (not supplied) from FM antenna socket of this unit to your home FM antenna socket.

SETTING THE CLOCK

From the "Off" mode, the LCD displays the clock time.

1. Press and hold SLEEP button on the remote for five seconds, and the hour digits begin to flash on the display.
2. Press ◀◀ and ▶▶ to set the hour.
3. Press SLEEP button to confirm. The hour stops flashing and the minutes digits begin to flash.
4. Press ◀◀ and ▶▶ to set the minutes.
5. Press SLEEP button to confirm. The minutes stops flashing and the clock is set.
6. Press SLEEP button on the remote, the clock can be toggled between 12/24 hour format.

Note:

- The clock displays in 12-hour or 24-hour mode.
- The clock can only be set when the power is off, and unit is in standby mode.
- Press BACKLIGHT button on the remote to illuminate the clock.

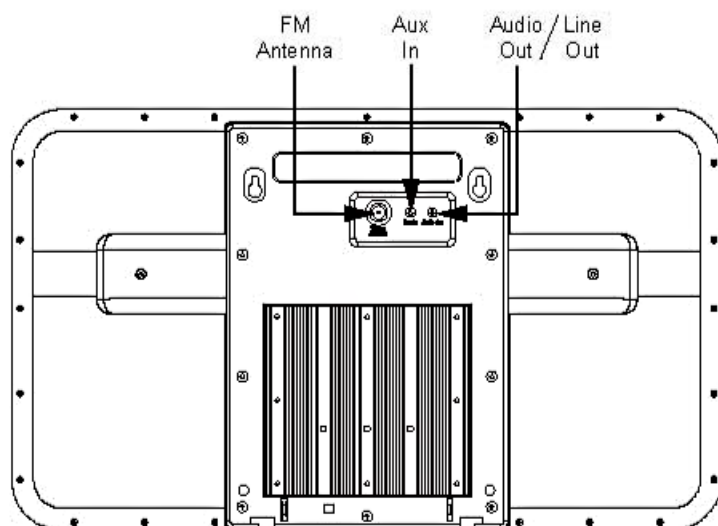
CONNECTING TO OTHER AUDIO EQUIPMENT

Caution: Turn off power and disconnect from the mains supply before connection.

- AUX IN - Connects to other audio equipment, including a VCR, video recorder, MP3 to provide sound output for other audio equipment.
- AUDIO OUT/LINE OUT - Connects to other audio equipment, including an Active Subwoofer, TV or an amplifier, for alternative stereo sound. The other jack could be referred to as CD or AUX on an amplifier; LINE IN on a TV; or AUDIO INPUT on an amplifier.

Note : Refer to your audio equipment's guide to determine how the audio input or output port is identified.

- FM Antenna -
 1. Plug in supplied FM wire antenna to the FM antenna socket of this unit, fully unwind the FM wire antenna and position it for best FM signal reception. OR
 2. Connect a FM antenna cable (not supplied) from FM antenna socket of this unit to your home FM antenna socket.



ADJUSTING THE VOLUME

Changing the volume

You can adjust the volume on the unit or with the remote control.
Press VOLUME +/- until the desired volume is reached.

Adjusting Tone

Bass and Treble may be used to obtain a "flat" frequency response or a tone which suits your individual listening preference. BASS adjusts low frequencies from -6 to +6. TREBLE adjusts high frequencies from -6 to +6.

1. Press TREBLE or BASS on the system to select Bass or Treble mode.
2. Press +/- to adjust the level.

Note:

On the remote, you may also press BASS +/- or TREBLE +/- to adjust Bass or Treble.

Changing Sound Quality with EQ

During play, press EQ button repeatedly to select the preferred equalizer mode.

Note:

There are 4 preset EQ levels : Flat, Rock, Pop, Classic.

Muting Sound

1. Press MUTE button from remote unit to silence audio output. "MUTE" appears on the display.
2. Press MUTE button again to cancel.

Using Sleep Feature

This feature shuts off the system and goes to Standby mode when selected sleep time has passed.

- Press SLEEP button of remote control repeatedly to select the desired sleeping time: 15, 30, 45 or 60 minutes. "SLEEP" flashes on the display as the time is selected. Once the sleep time is selected, "SLEEP" appears on the display.

Using headphones (not supplied)

Plug your headphones into the headphones socket at the front of the unit.

Sound will switch from the speakers to the headphones. Never have the sound turned up high when you have the headphones plugged in.

Warning : Listening to music at loud volumes can damage your hearing.

CARE AND MAINTENANCE

Please note : Disconnect the unit from the mains supply before cleaning.

System

Wipe the housing gently with a soft, dry cloth. If the unit is heavily stained or soiled, wipe with a moistened cloth. To avoid damage, do not use any cleaning agents or abrasive cleaners.

Speakers

Wipe the speakers gently with a clean, damp cloth. To avoid damage, do not use any cleaning agents or abrasive cleaners.

CD Lens

When the lens gets dirty, malfunctions may occur. The lens should be cleaned using a commercially available camera lens cleaner.

CD Compartment

- Do not put anything except a compact disc into compartment. Other objects can damage the mechanism.
- Do not force compartment open.
- Keep compartment closed when not in use to prevent dirt and dust from settling inside.
- Never place multiple discs into compartment at the same time.

REMARKS AND NOTES

1. This unit supports MP3 bit rates from 32-320kbps and WMA bit rates from 48-192kbps and plays CD-R and CD-RW discs.
2. The ISO9660 disc formats are supported.
3. MP3 files should be encoded at data rates of 128kbps and higher and WMA files encoded at 64kbps and higher for optimal music quality.
4. MP3 files can include additional information (termed ID3 tags) about the music track such as the song title and the artist's name. The unit will display the song title for the MP3 files being played if this information has been incorporated into the MP3 music files. WMA files can also include information, termed metatags, similar to the ID3 tags in MP3 audio files. The unit will display the song title if that information is stored in the WMA file metatag.

RECOMMENDED WINDOWS MEDIA PLAYER SETTINGS ON YOUR PC

When using Microsoft Windows Media Player on your PC to encode your CD collections to hard disc as WMA files, it is recommended that you do not tick the "Copy protect music" box in the Windows Media Player Options menu. Music files purchased from on-line music stores may only play if written to CD using Windows Media Player to burn the CDs.

Windows Media and the Windows logo are trademarks or registered trademarks of Microsoft Corporation in the United States and/or other countries. WMA is a compression format developed by Microsoft Corporation. It achieves the same sound quality as MP3 with a file size that is smaller than that of MP3.

TROUBLESHOOTING GUIDE


SYMPTON	CAUSE	ACTION
No power even when POWER is set to 'ON'.	Poor plug connection.	Insert power plug firmly into AC outlet.
CD will not play	Disc is loaded upside down.	Reload disc with label facing towards the front.
	Disc is dirty.	Clean disc with a soft cloth. Wipe in a straight motion from inside to outside of the disc.
	Disc code error.	Reload disc and wait ten seconds, then switch unit back on and retry. Make sure that amplifier controls
No sound	Improper amplifier operation.	are set properly. Check master output level. Change the installation location.
Sound skips	Player is subject to vibrations or physical shock.	
	Laser lens is dirty.	Clean using a quality laser lens cleaner. Clean disc.
	Disc is dirty.	Firmly connect all audio plugs.
Humming Noise	Loose cable connections.	

SPECIFICATIONS

Supply Voltage	:	AC230V~ 50Hz
Power Consumption	:	48W
Radio Frequency Range	:	FM 87.5 - 108 MHz MW 531 - 1602 kHz
Power Output (Subwoofer)	:	Typical 10W RMS at 4ohm Speaker
(Speaker)	:	Typical 5W RMS at 8ohm Speaker THD \leq 10%
Dimension (with stand)	:	19.2" (L) x 7.1" (W) x 12.1" (H)
(without stand)	:	19.2" (L) x 3.7" (W) x 11.41" (H)
Net Weight	:	9.04 Lbs (4.1kg)

We continually strive to improve our products, specifications may change without prior notice.

PRECAUCIONES

- Si el aparato no se va a usar por periodo de tiempo largo, desenchufarlo de la corriente y quitar las pilas.
- Si un aparato CD se utiliza al mismo tiempo que se sintoniza una emisora de radio, es posible que se oigan ruidos en la retrasmisión. Si es así, desconecte [OFF] el aparato CD para suprimirlos.
- No dejar pilas gastadas en el compartimiento del aparato, porque pueden filtrar liquido y ocasionar corrosión y daños.
- Nunca abra las tapas o toque la parte interna o introduzca un objeto de metal. Cualquiera de estas cosas podría causar una descarga eléctrica o una avería.
- Cuando hay truenos se debe desconectar el cable de alimentación de la salida CA. Si el aparato está empleado al aire libre se debe acortar la antena y parar el uso del aparato.
- Acorte la antena cuando transporta el aparato. Si se mueve de un lado a otro con la antena extendida, se puede romper.
- No permitir que la unidad quede bajo la influencia directa de fuerte sol, calor extremo o alta humedad y no colocarla cerca de fuentes de calor, del mar o de lugares arenosos o polvorientos.
- No limpiar el amazón del aparato con detergentes o disolventes fuertes, ya que pueden dañar los acabados.
- Es desaconsejable el uso de cintas c-120, porque tienden a enredarse o a obturar el aparato.
- El aparato no se debe exponer a goteo o salpicaduras.
- Los discos que se pueden escuchar en este aparato tienen el marbete siguiente: 
- Nunca portar este aparato repentinamente de un lugar muy frío en uno caliente. Cuando el CD es pörtado repentinamente de un lugar frío en uno caliente, la humedad se condensa en la lente del fonocaptor y deteriora el funcionamiento del aparato. En este caso se debe esperar de 1 a 2 hours antes de escuchar el disco.
- Cuando se escha si el disco es sacudido repentinamente hay un ruido que no significa pero un funcionamiento defectivo del aparato.
- No se debe poner algún objeto en el compartimiento del disco, porque se puede dañar el mecanismo.
- Si se debe trasladar el aparato, en premier lugar se debe remover el disco. Si el aparato es traslado con el disco en posición, este disco puede dañarse.
- Nunca poner los discos en lugares muy cálidos u húmedos. Los discos pueden combarse de modo que no pueden utilizarse. Los discos húmedos pueen hacerse inservibles. Remover la humedad con un paño limpio y seco y cerciorarse de que los discos sean completamente secos antes del empleo.
- Manipular los discos cuidadosamente de modo que la superficie no tenga polvo u huellas digitales. Pare limpiar los discos, emplear un paño limpio y muelle. Nunca emplear un paño rigido que puede arañar los discos.
- Cuando se pone u se corta la luz fluorescente del aparato si hay un ruido de interferencia, esto no significa un funcionamiento defectivo del aparato.
- Por favor no use CDs que lleven pegado papel cello o pegatinas, o CDs cuya etiqueta este despegada ya que podrían quedar atrapados dentro del compartimiento y causar averias.
- Los CDs con formas especiales (de corazón, octogonales, etc.) no se pueden poner en este equipo. El intentarlo podría averiar el equipo. No use ese tipo de CDs.



AVISO IMPORTANT

EPULSE SIEMPRE EL BOTÓN DE PARADA Y ESPERE QUE EL DISCO DEJE DE GIRAR ANTES DE ABRIR LA PUERTA DEL CD Y RETIRAR EL DISCO. SI SE ABRE LA PUERTA DEL CD MIENTRAS EL DISCO TODAVÍA ESTÁ GIRANDO, SE PUEDE DAÑAR EL DISCO.

CLAVE DE LAS ILUSTRACIONES

(Ver la página 7)

1. Sensor Remoto
 - Apunte el control remoto a este punto para un funcionamiento efectivo.
2. Visor
 - Muestra información concerniente al estado del disco o la estación de radio que se está escuchando.
3. Compartimiento del CD
 - Contiene el CD.
4. EQ
 - Selecciona el modo del ecualizador (Clásico, Chato, Rock y Pop)
5. AUX
 - Pasa al modo Auxiliar.
6. TUNER/BAND
 - Pasa al modo Radio MW o FM.
7. DOOR
 - Abre y cierra el compartimiento del CD.
8. On/Off
 - Enciende y apaga la unidad.
9. CD
 - Pasa al modo CD/MP3/WMA.
10. SKIP/SCAN SEARCH
 - Salta / Busca hacia atrás o adelante en el disco o pista en modo CD/MP3/WMA, o ciertas estaciones de radio en el modo Radio. Pulse y mantenga para avanzar o retroceder rápidamente.
11. STOP
 - Detiene la reproducción del disco o borra la configuración de programación. El número total de pistas y el tiempo total de reproducción (disco CDDA) se muestran en el visor para indicar que el reproductor está en modo detenido.
12. Earphone Jack
 - Conecta los auriculares.
13. PLAY/PAUSE
 - Reproduce y realiza una pausa en el disco en modo CD.
14. VOLUME + / -
 - Ajusta el nivel de sonido.
15. BASS
 - Ajusta las bajas frecuencias.
16. TREBLE
 - Ajusta las frecuencias altas.

Control Remoto

1. Botón CD
 - Pasa al modo CD.
2. Botón OPEN
 - Abre y cierra el compartimiento del CD.
3. Botón STOP
 - Detiene la reproducción del disco o borra la configuración de programación. El número total de pistas y el tiempo total de reproducción (disco CDDA) se muestran en el visor para indicar que el reproductor está en modo detenido.
4. Botón PLAY / PAUSE
 - Reproduce y realiza una pausa en el disco en modo CD.
5. Botones KIP/SEARCH BACKWARD o FORWARD
 - Salta / Busca hacia atrás o adelante en el disco o pista en modo CD;
 - Salta hacia adelante o hacia atrás estaciones de radio en el modo Radio;
 - O salta horas o minutos en el modo Reloj.
 - Pulse y mantenga presionado para avanzar o retroceder rápidamente.
6. Botón BACKLIGHT
 - Enciende y apaga la luz de fondo del visor.
7. Botón PROG/MEM
 - Programa la secuencia de reproducción del CD o configura las estaciones de radio.
8. Botón TUNER - Pasa al modo Radio.
9. Botón BAND - Pasa al modo MW/FM.
10. Botón RPT/PRESET -
 - Tiene función de repetición en el modo CD, o busca hacia atrás las estaciones preestablecidas en el modo Radio.
11. Botón RDM/PRESET +
 - Reproduce un disco completo al azar en modo CD, o buscar hacia adelante las estaciones preestablecidas en el modo Radio.
12. Botón TREBLE +/- - Ajusta los agudos.
13. Botón BASS +/- - Ajusta los bajos.
14. On/Off - Coloca a la unidad en modo de espera.
15. Botón +10
 - Pasa las pistas hacia adelante de a 10 en un disco que contiene un gran número de archivos de audio CDDA, MP3 o WMA durante el modo de reproducción.
16. Botón AUX - Pasa al modo auxiliar.
17. Botón SLEEP
 - Selecciona la opción de tiempo para que se apague la unidad; programa el reloj cuando la unidad está apagada y configura el visor en el sistema de 12 horas / 24 horas.
18. Botón MUTE - Alterna entre el modo silencioso y el no silencioso.
19. Botón EQ - Selecciona el modo ecualizador (Clásico, Chato, Rock y Pop).
20. Botón VOLUME +/- - Ajuste el nivel de sonido.

FUNCIONES Y CARACTERÍSTICAS

OPERACIÓN DEL CD

Insertar un CD

1. Pulse el botón CD.
Nota: Aparecerá la leyenda "NO DISC" en el visor si no hay CD dentro de la unidad.
2. Pulse el botón DOOR para abrir la tapa del compartimiento. Aparecerá la leyenda "OPEN" en el visor.
3. Coloque el CD dentro de la bandeja con la superficie rotulada hacia afuera.
4. Pulse el botón DOOR para cerrar la tapa del compartimiento. Primero aparecerá la leyenda "CLOSE" en el visor LCD y luego la leyenda "READING".
5. El visor muestra el indicador "CD" si el disco es un CD de audio de formato CDDA estándar. Si el disco contiene archivos MP3 o WMA, entonces se mostrarán los indicadores MP3 o WMA.

Nota:



- Una vez que se abrió y luego se cerró la puerta del CD, el lector busca automáticamente un CD. Una vez que se encontró el CD, el visor mostrará el número total de pistas y el tiempo total de reproducción. Sin embargo, si no se encontró ningún CD, el lector se detendrá y el visor mostrará la leyenda "NO DISC".

Reproducir discos CDDA, CD_MP3 y CD_WMA

Por favor, note lo siguiente: Le puede llevar a la unidad hasta 15 segundos para leer un disco MP3 o WMA.

1. Después de que se insertó un CD, pulse el botón PLAY/PAUSE para reproducir el CD. El visor mostrará el número de pista y el tiempo de reproducción.
2. Pulse el botón para saltar hacia adelante o hacia atrás a la pista deseada.
3. Para detener la reproducción del CD en cualquier momento, pulse el botón STOP .

Nota:

- Pulse y mantenga presionado  o  para buscar dentro de una misma pista.
- Para detener temporariamente la reproducción del CD, pulse el botón PLAY/PAUSE . El tiempo de reproducción se muestra intermitente en el visor. Pulse el botón PLAY/PAUSE otra vez para reanudar la reproducción.
- La reproducción se detendrá automáticamente después de que se han reproducido todas las pistas. El visor mostrará el número total de pistas y el tiempo de reproducción del CD.

Reproducir pistas al azar

1. Pulse el botón RDM en el control remoto para reproducir todas las canciones del disco al azar. Se mostrará la leyenda "RANDOM" en el visor.
2. Pulse el botón RDM otra vez para salir de la función. El disco continuará reproduciéndose hasta el final, pero en el orden correcto. La leyenda "RANDOM" desaparecerá.

Repetir la reproducción

Repetir una pista

1. Pulse **◀** para seleccionar la pista deseada.
2. Pulse el botón RPT en el control remoto hasta que se muestre "REPEAT 1" en el visor. La pista seleccionada se reproducirá repetidamente.

Nota: Para cancelar esta función, pulse el botón RPT hasta que "REPEAT 1" desaparezca del visor.

Repetir el disco

Pulse el botón RPT hasta que se muestre "REPEAT ALL" en el visor.

Nota: Para cancelar esta función, pulse el botón RPT hasta que "REPEAT ALL" desaparezca del visor.

Programar la reproducción

Programar la reproducción del disco

Esta función programa el orden en que se reproducirán las pistas.

1. Después de que se insertó el CD, asegúrese de que el CD está en modo detenido.
2. Pulse el botón PROG/MEM del control remoto y la leyenda "PROGRAM" se mostrará intermitente y "00 P-01" aparecerá en el visor.
3. Pulse **◀** para localizar la pista deseada.
4. Pulse el botón PROG/MEM para confirmar. "00 P-02" aparecerá en el visor.
5. Repita los pasos 3 y 4 para programar otras pistas con la secuencia deseada. Se pueden almacenar hasta 40 pistas para la reproducción programada.
6. Pulse el botón PLAY/PAUSE para reproducir su secuencia programada.

Nota:

- Para cancelar el modo de Reproducción Programada antes de que comience la secuencia, puede apagar la unidad o abrir la tapa del CD.
- Cuando se encuentra en el modo de Reproducción Programada, pulse el botón PROG/MEM para cancelar el modo de Reproducción Programada y el CD se reproducirá en modo de reproducción normal. Si pulsa el botón PROG/MEM otra vez, regresará al modo de Reproducción ya Programada.

Editar la memoria programada

1. Estando en modo detenido, pulse el botón PROG/MEM repetidamente hasta que se muestre la pista deseada.
2. Pulse **◀** para seleccionar la pista que desea reemplazar por la pista programada.
3. Pulse el botón PROG/MEM otra vez para confirmar.
4. Repita los pasos 1-3 para editar otras pistas programadas.

Borrar la memoria programada

1. Estando en modo detenido, pulse el botón PROG/MEM repetidamente hasta que se muestre la pista que desea borrar.
2. Pulse **◀** para seleccionar la pista que desea borrar, hasta que la selección de pista que se muestra aparezca como "00" en el visor.
3. Pulse el botón PROG/MEM otra vez para confirmar.
4. Repita los pasos 1-3 para borrar otras pistas programadas.
La pista programada será reemplazada por la pista de la siguiente ubicación. La última ubicación programada será "00".

OPERACIÓN DEL SINTONIZADOR DE RADIO

Escuchar la radio

Por favor note lo siguiente: Conecte la antena en el toma de antena de 75ohm en la parte posterior de la unidad.

1. Pulse el botón TUNER/BAND para seleccionar el modo FM o MW. En el control remoto, pulse el botón BAND para seleccionar el modo FM o MW.
2. Pulse Δ para seleccionar una estación de radio.

Nota:

- Si pulsa Δ por menos de tres segundos cada vez, la frecuencia que se reciba ascenderá o descenderá.
 - Si pulsa y mantiene presionado Δ por más de tres segundos, la frecuencia continuará incrementando automáticamente hasta que se reciba una estación de radio.
3. Ajuste el sonido y el volumen deseados.

Nota:

La última estación sintonizada se guardará y será la estación que se oiga cuando vuelva a encender el sistema. La estación sintonizada se almacenará en la memoria incluso si se desconecta la alimentación o se corta debido a un corte de energía temporario.

Configurar las estaciones de radio en la memoria

Puede almacenar hasta 20 estaciones FM y 20 estaciones MW en la memoria de canal.

1. Pulse el botón TUNER/BAND para seleccionar el modo FM o MW. En el control remoto, pulse el botón BAND para seleccionar el modo FM o MW.
2. Pulse Δ para seleccionar una estación de radio.
3. Pulse el botón PROG/MEM, y la leyenda "PROGRMW" se mostrará intermitente en el visor.
4. Pulse el botón "PRESET +" o "PRESET -" para seleccionar el canal de programación.
5. Pulse el botón PROG/MEM para guardarla en la memoria. Si ya se ha configurado anteriormente, la estación anterior será reemplazada.
6. Repita los pasos 2 a 5 para guardar más estaciones de radio.

Escuchar las estaciones de radio preestablecidas

1. Pulse el botón TUNER/BAND para seleccionar el modo FM o MW. En el control remoto, pulse el botón BAND para seleccionar el modo FM o MW.
2. Pulse PRESET +/- para seleccionar el canal preestablecido que desea.

Mejorar la recepción

Recepción MW

Reubique la unidad para obtener una mejor recepción MW.

Nota: No conecte una antena externa.

Recepción FM

1. Enchufe el cable de antena FM suministrado en el toma de antena FM de la unidad, extiéndalo por completo y colóquelo de manera tal que obtenga la mejor recepción FM. \odot
2. Conecte un cable de antena FM (no suministrado) desde el toma de antena FM de la unidad hasta el toma de antena FM de su hogar.

CONFIGURAR EL RELOJ

En el modo detenido, el visor LCD muestra la hora.

1. Pulse y mantenga presionado el botón SLEEP en el control remoto durante 5 segundos, y los dígitos de la hora comenzarán a parpadear en el visor.
2. Pulse y para configurar la hora.
3. Pulse el botón SLEEP para confirmar. La hora dejará de parpadear y comenzarán a parpadear los minutos.
4. Pulse y para configurar los minutos.
5. Pulse el botón SLEEP para confirmar. Los minutos dejarán de parpadear y el reloj estará configurado.
6. Pulse el botón SLEEP en el control remoto, el reloj podrá alternarse entre el formato de 12 y 24 horas.

Nota:

- El reloj muestra el modo de 12 horas o de 24 horas.
- El reloj solo se puede configurar cuando la unidad está apagada, y la unidad se encuentra en modo de espera.
- Pulse el botón BACKLIGHT en el control remoto para iluminar el reloj.

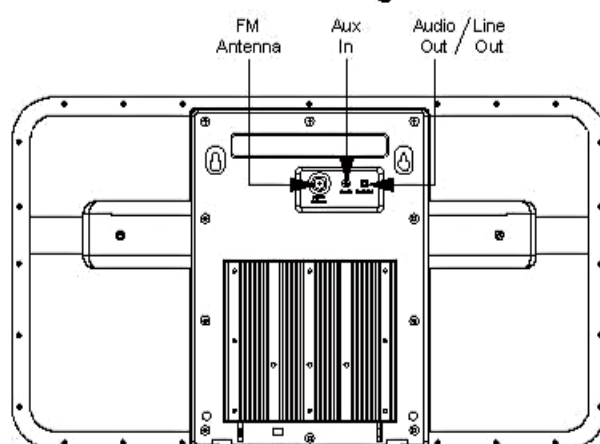
CONECTAR LA UNIDAD CON OTRO EQUIPO DE AUDIO

Precaución: Apague la unidad y desconéctela de la red eléctrica antes de la conexión.

- AUX IN – Conecte con otro equipo de audio, que incluye una videocasetera, una grabadora, MP3 para proporcionar salida de sonido a otro equipo de audio.
- AUDIO OUT/LINE OUT - Conecte con otro equipo de audio, que incluye un subwoofer activo, una TV o un amplificador, para un sonido estéreo alternativo. El otro toma se pueden considerar como CD o AUX en un amplificador; LINE IN en una TV; o AUDIO INPUT en un amplificador.

Nota : Consulte su guía del equipo de audio para determinar cómo se identifica la el puerto de entrada o salida de audio.

- Antena FM -
1. Enchufe el cable de antena FM suministrado en el toma de antena FM de la unidad, extiéndalo por completo y colóquelo de manera tal que obtenga la mejor recepción FM. O
 2. Conecte un cable de antena FM (no suministrado) desde el toma de antena FM de la unidad hasta el toma de antena FM de su hogar.



AJUSTAR EL VOLUMEN

Cambiar el volumen

Puede ajustar el volumen desde la unidad o desde el control remoto. Pulse el botón VOLUME +/- hasta que obtenga el volumen deseado.

Ajustar el tono

Los Bajos y los Agudos se pueden utilizar para obtener una respuesta de frecuencia "chata" o un tono que se ajuste a su preferencia de audición. BASS ajusta las frecuencias bajas desde -6 hasta +6. TREBLE ajusta las frecuencias altas desde -6 hasta +6.

1. Pulse el botón TREBLE o BASS en el sistema para seleccionar el modo de Bajos o Agudos respectivamente.
2. Pulse +/- para ajustar el nivel.

Nota:

En el control remoto, puede pulsar también BASS +/- o TREBLE +/- para ajustar los Bajos o los Agudos respectivamente.

Cambiar la calidad de sonido con el ecualizador

Durante la reproducción, pulse el botón EQ repetidamente para seleccionar el modo de ecualizador preferido.

Nota:

Hay 4 niveles de ecualizador predeterminados: Flat, Rock, Pop, Classic.

Silenciar el sonido

1. Pulse el botón MUTE en el control remoto para silenciar la salida de audio. Se mostrará la leyenda "MUTE" en el visor.
2. Pulse el botón MUTE otra vez para cancelar.

Utilizar la función de apagado programado (SLEEP)

Esta función apaga el sistema y lo coloca en modo de espera cuando llega a la hora de apagado programado seleccionada con anterioridad.

- Pulse el botón SLEEP en el control remoto repetidamente para seleccionar el tiempo de apagado programado deseado: 15, 30, 45 o 60 minutos. Se mostrará la leyenda "SLEEP" en el visor a medida que se selecciona el tiempo.

Una vez que se seleccionó el tiempo de apagado programado, se mostrará la leyenda "SLEEP" en el visor.

Utilizar auriculares (no suministrados)

Enchufe sus auriculares en el toma de auriculares en la parte frontal de la unidad.

El sonido pasará de los altavoces a los auriculares. Nunca tenga el volumen alto cuando enchufa los auriculares.

Advertencia: Escuchar música en un volumen elevado puede dañar su audición.

CUIDADO Y MANTENIMIENTO

Por favor, note lo siguiente: Desconecte la unidad de la red eléctrica antes de limpiarla.

Sistema

Limpie la carcasa delicadamente con un paño suave y seco. Si la unidad está muy manchada o sucia, limpie con un paño húmedo. Para evitar daños, no utilice agentes de limpieza ni limpiadores abrasivos.

Altavoces

Limpie los altavoces delicadamente con un paño suave y seco. Para evitar daños, no utilice agentes de limpieza ni limpiadores abrasivos.

Lente del CD

Cuando la lente se ensucia, puede funcionar mal. La lente debe limpiarse utilizando un limpiador de lentes de cámara disponible en cualquier comercio.

Compartimiento del CD

- No coloque otra cosa que no sea un disco compacto dentro del compartimiento. Otros objetos pueden dañar el mecanismo.
- No fuerce la tapa del CD para abrirla.
- Mantenga el compartimiento cerrado cuando no lo utilice para evitar que entre la suciedad o el polvillo.
- Nunca coloque muchos discos dentro del compartimiento al mismo tiempo.

OBSERVACIONES Y NOTAS

OBSERVACIONES:

1. Esta unidad es compatible con las tasas de bits MP3 de 32-320kbps y las tasas de bits WMA de 48-192kbps y reproduce discos CD-R y CD-RW.
2. Es compatible con los formatos de discos ISO9660.
3. Los archivos MP3 deberán codificarse a un tasa de datos de 128kbps y más y los archivos WMA se deberán codificar a una tasa de 64kbps y más para obtener una óptima calidad de sonido.
4. Los archivos MP3 pueden incluir información adicional acerca de la pista de música (conocida como etiquetas ID3), tales como el título de la canción y el nombre del artista. La unidad mostrará el título de la canción para los archivos MP3 que se están reproduciendo si dicha información está incorporada en el archivo de música MP3. Los archivos WMA también pueden incluir información, conocida como metaetiquetas, similares a las etiquetas ID3 en los archivos de audio MP3. La unidad mostrará el título de la canción si dicha información está almacenada en la metaetiqueta del archivo WMA.

CONFIGURACIONES DEL WINDOWS MEDIA PLAYER REOMENDADAS PARA SU

Cuando utiliza el Windows Media Player de Microsoft en su PC para codificar las colecciones de CD en un disco rígido como archivo WMA, se recomienda que no tilde la opción "Copiar música protegida" (Copy protected music) en el menú del Opciones del Windows Media Placer. Los archivos de música adquiridos de tiendas de música online solo se podrán reproducir si se graban en un CD utilizando el Windows Media Player.

Windows Media y el logo de Windows son marca registrada de Microsoft Corporation en Estados Unidos de América y otros países. WMA es un formato de compresión desarrollado por Microsoft Corporation. Obtiene la misma calidad de sonido que con un archivo MP3 con un tamaño de archivo menor.

GUÍA DE SOLUCIÓN DE PROBLEMAS

SÍNTOMA	CAUSA	ACCIÓN
No enciende incluso cuando se pulsa el botón POWER	Mala conexión del enchufe	Inserte el enchufe de alimentación de manera firme en la salida AC
No se reproduce el CD	El disco está insertado al revés	Vuelva a colocar el CD con la superficie rotulada hacia el frente
	El disco está sucio	Limpie el disco con un paño suave. Límpielo desde el centro hacia fuera
	Error en el código de disco	Vuelva a colocar el disco y espere diez segundos, luego encienda la unidad otra vez y vuelva a probar
No se oye el sonido	Utilización incorrecta del amplificador	Asegúrese de que los controles del amplificador están bien configurados. Verifique el nivel de salida principal
El sonido se interrumpe	El reproductor está recibiendo vibraciones o golpes físicos	Cambie el lugar de instalación
	La lente láser está sucia	Límpiela utilizando un limpiado de lentes láser de calidad
	El disco está sucio	Limpie el disco
Se oye un zumbido	Las conexiones del cable están flojas	Conecte todos los enchufes de audio de manera firme

ESPECIFICACIONES

Voltaje de alimentación:	AC230V~ 50Hz	
Consumo de energía:	48W	
Amplitud de frecuencia de radio:	FM 87.5 - 108 MHz MW 531 - 1602 kHz	
Salida de energía (Subwoofer):	Típica 10W RMS en altavoz de 4ohm	
(Altavoz):	Típica 5W RMS en altavoz de 8ohm THD ≤10%	
Dimensiones	(con base):	19,2" (L) x 7,1" (A) x 12,1" (Al)
	(sin base):	19,2" (L) x 3,7" (A) x 11,41" (Al)
Peso neto:	4,1kg	

Nos esforzamos continuamente para mejorar nuestros productos, las especificaciones se pueden modificar sin previa notificación.